

City of Watford City  
Dumpster Enclosure Requirements  
Rev. 1/15/2014

City prefers no enclosure.

If owner prefers an enclosure the following applies:

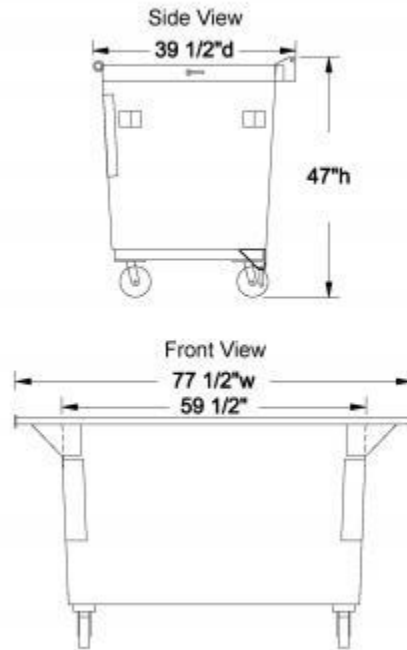
- Enclosure gate opening must be at least 10' wide per dumpster.
- Enclosure depth must be at least 20' deep.
- NOTE: If there is an expected need for additional dumpsters, the width must be multiplied by the number of dumpsters.
- Gates are NOT preferred.
- If the owner insists upon gates, they must be 18" off the ground and latch with a single latch.
- The enclosure must have an obstruction free area 75' in front of the opening to allow the garbage truck to drive up and align with the dumpster.
- If these requirements cannot be met then the enclosure is forbidden.

# 1 1/2 YARD

Dimensions: 39 1/2" D x 77 1/2" W x 47" H

Weight: 411 lbs

## RRIRL150

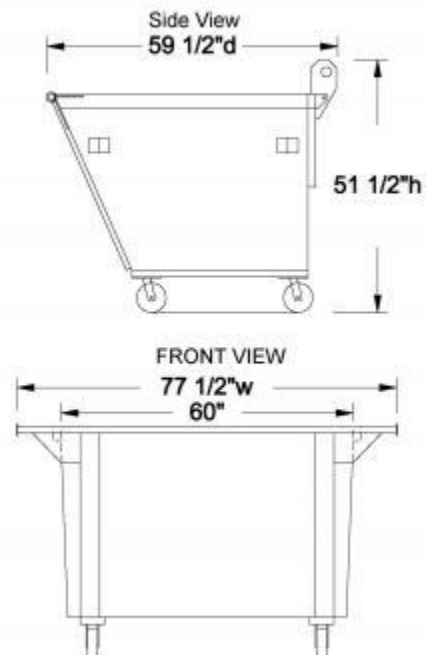


# 2 YARD

Dimensions: 59 1/2" D x 77 1/2" W x 51 1/2" H

Weight: 468 lbs

## RRIRL200



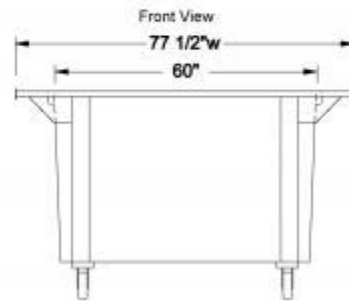
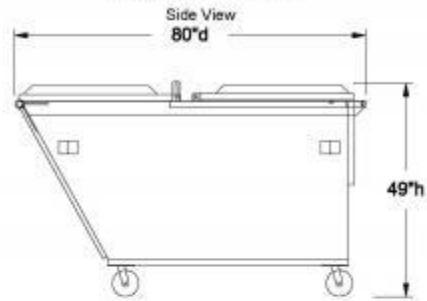
## 3 YARD

Dimensions: 80" D x 77 1/2" W x 49" H

Weight: 497 lbs



RRIRL300



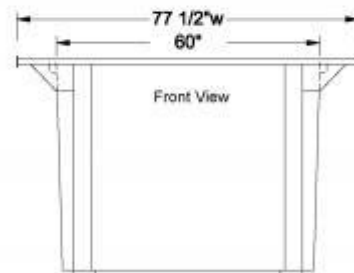
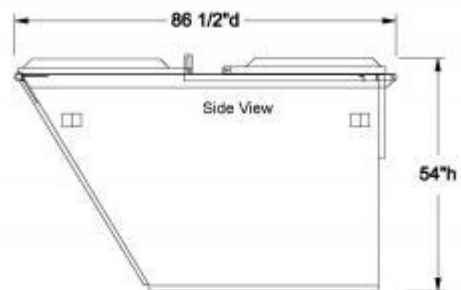
## 4 YARD

Dimensions: 86 1/2" D x 77 1/2" W x 54" H

Weight: 843 lbs



RRIRL400



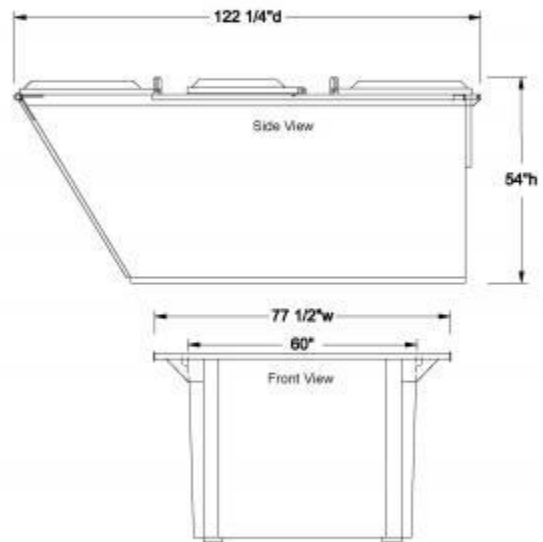
## 6 YARD

Dimensions: 122 1/4" D x 77 1/2" W x 54" H

Weight: 1186 lbs



RRIRL600



## 8 YARD

Dimensions: 149 1/2" D x 77 1/2" W x 54" H

Weight: 1476 lbs



RRIRL800

