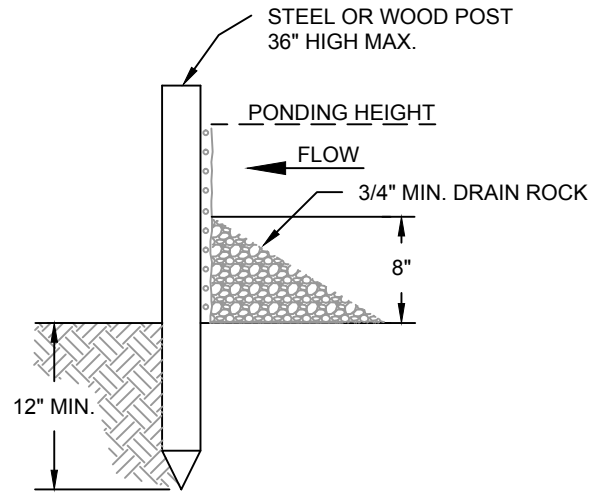


TRENCH DETAIL



INSTALLATION WITHOUT TRENCH

1. SILT FENCE SHALL BE PLACED ON SLOPE CONTOURS TO MAXIMIZE PONDING EFFICIENCY.
2. INSPECT AND REPAIR FENCE AFTER EACH STORM EVENT AND REMOVE SEDIMENT WHEN NECESSARY.
3. REMOVED SEDIMENT SHALL BE DEPOSITED TO AN AREA THAT WILL NOT CONTRIBUTE SEDIMENT OFF-SITE AND CAN BE PERMANENTLY STABILIZED.

CITY OF WATFORD CITY, NORTH DAKOTA PUBLIC WORKS DEPARTMENT	
SILT FENCE	
APPROVED FOR PUBLICATION	DWG. NO.
City Engineer	Date
200-2	