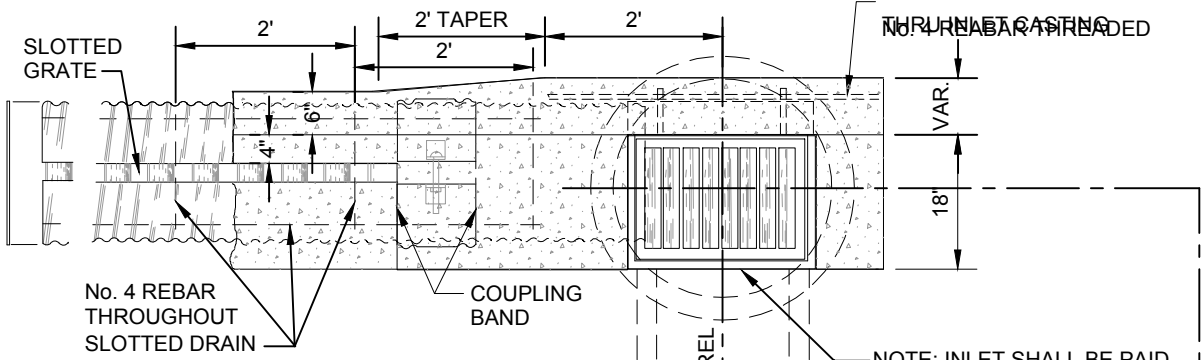
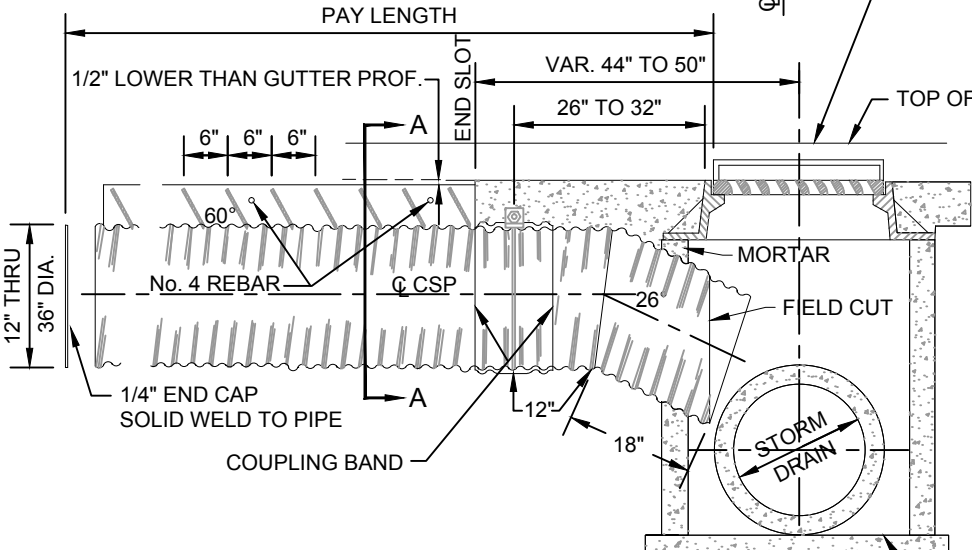


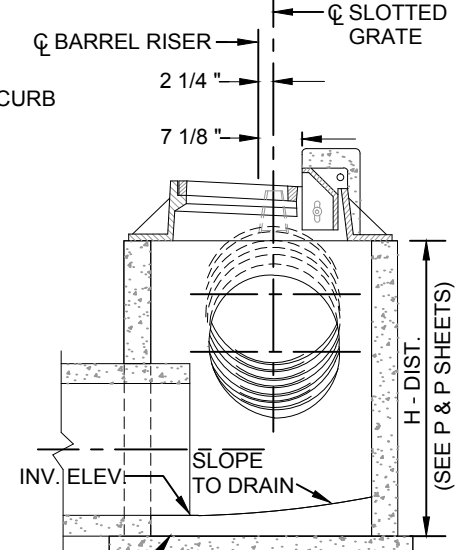
PERSPECTIVE



PLAN



SIDE SECTION



END SECTION

CITY OF WATFORD CITY, NORTH DAKOTA
PUBLIC WORKS DEPARTMENT

**SLOTTED DRAIN INLET
(SHEET 1 OF 2)**

APPROVED FOR PUBLICATION

DWG. NO.

1205-9

City Engineer

Date