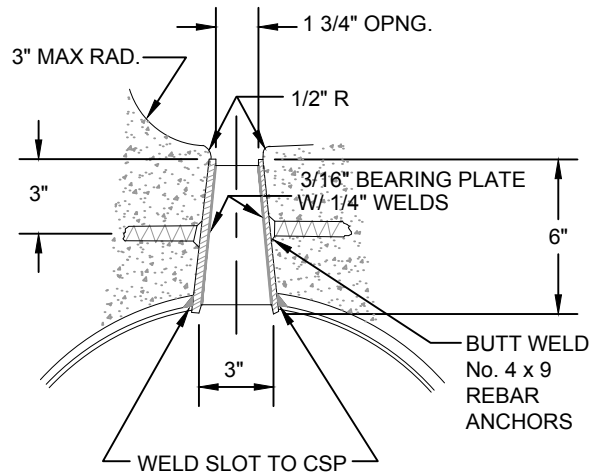
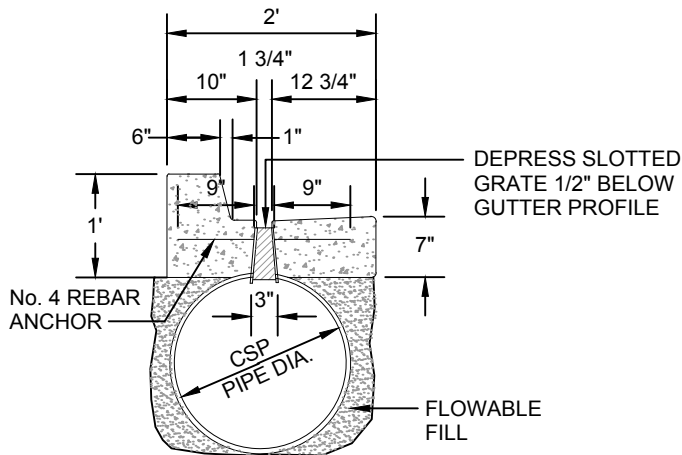


TYPICAL COUPLING BAND



CITY OF WATFORD CITY, NORTH DAKOTA
PUBLIC WORKS DEPARTMENT

SLOTTED DRAIN INLET
(SHEET 2 OF 2)

APPROVED FOR PUBLICATION

DWG. NO.

City Engineer

Date

1205-10