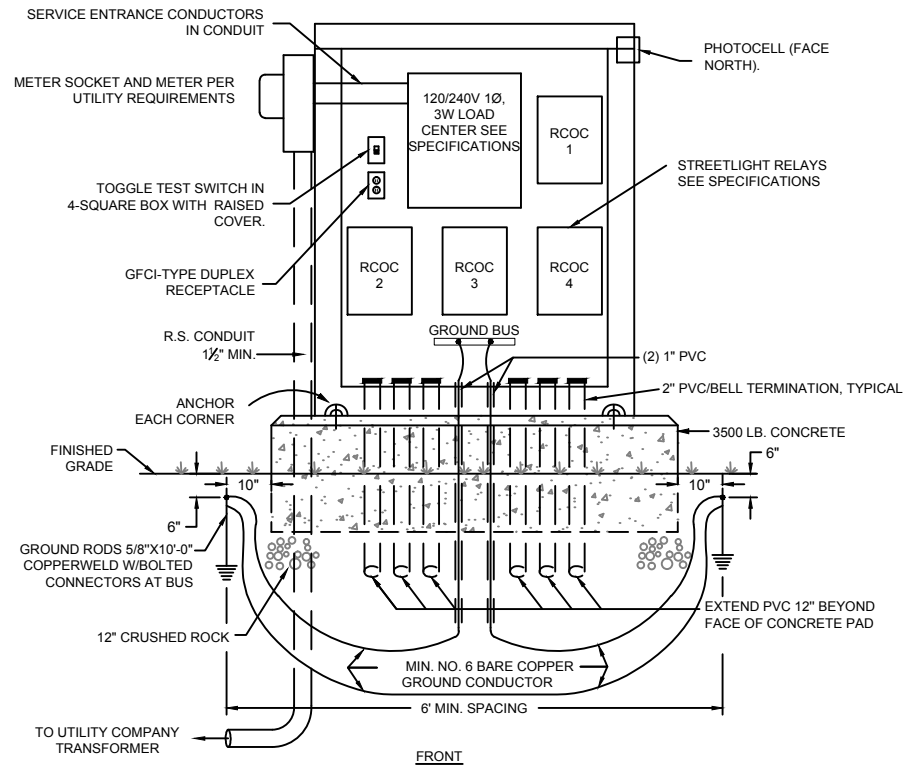
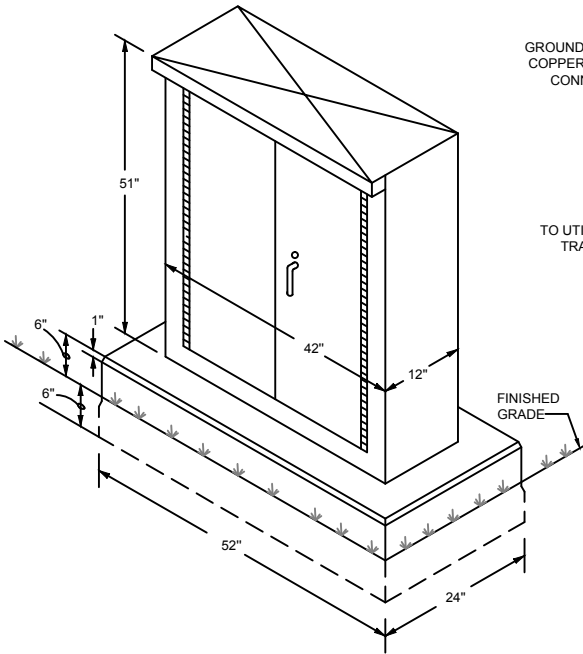
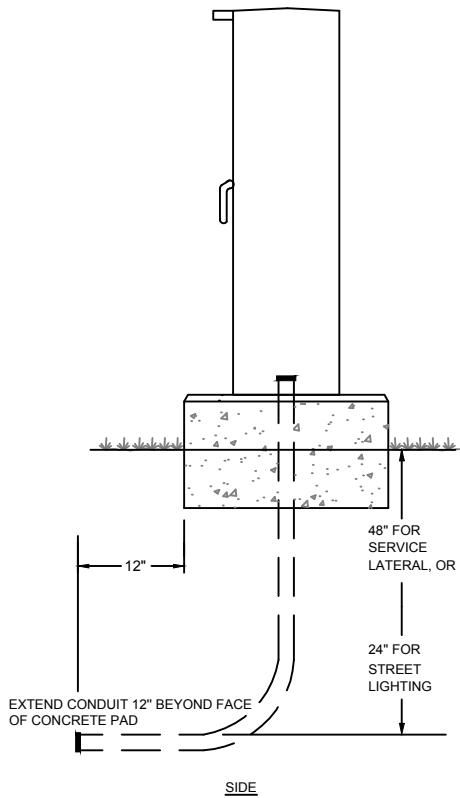


NAMEPLATES

NO SCALE



CITY OF WATFORD CITY, NORTH DAKOTA
PUBLIC WORKS DEPARTMENT

**LIGHT POLE PAD MOUNTED
FEED POINT**

APPROVED FOR PUBLICATION

DWG. NO.

City Engineer

Date

1000-5

LIGHT POLE PAD MOUNTED FEED POINT DETAIL

TYPICAL CONDITION - SEE SPEC. NO SCALE